

# 2-way flow control valve

## Type 2FRM

**RE 28163**

Edition: 2015-07

Replaces: 02.09



H5851+5852

- ▶ Size 6
- ▶ Component series 3X
- ▶ Maximum operating pressure 315 bar
- ▶ Maximum flow 32 l/min

### Features

- ▶ Porting pattern according to DIN 24340 form A
- ▶ External closing of the pressure compensator, optional
- ▶ As threaded connection for control panel installation with connection thread G3/8
- ▶ Check valve, optional
- ▶ 2 adjustment types, optionally:
  - Rotary knob with scale
  - Lockable rotary knob with scale

### Contents

Features	1
Ordering codes	2, 3
Symbols	3, 4
Function, section	4 ... 6
Technical data	7, 8
Characteristic curves	8, 9
Dimensions	10 ... 13
More information	14

**Ordering code:** 2-way flow control valve

01	02	03	04	05	06	07	08	09	10
<b>2FRM</b>	<b>6</b>			<b>6</b>	<b>-</b>	<b>3X</b>	<b>/</b>		<b>*</b>

01	2-way flow control valve	<b>2FRM</b>
02	Size 6	<b>6</b>
03	<b>With</b> closing of the pressure compensator (suppression of the start-up jump)	<b>A</b>
	<b>Without</b> closing of the pressure compensator	<b>B</b>
	<b>Without</b> closing of the pressure compensator – <b>for control panel installation</b>	<b>SB</b>

**Adjustment type**

04	Lockable rotary knob with scale <sup>1)</sup>	<b>3</b>
	Rotary knob with scale	<b>7</b>
05	Zero position of the marking at port P	<b>6</b>
06	Component series 30 ... 39 (30 ... 39: Unchanged installation and connection dimensions)	<b>3X</b>


**Flow (A → B)**

07	up to 0.2 l/min	<b>0.2Q</b>
	up to 0.6 l/min	<b>0.6Q</b>
	up to 1.5 l/min	<b>1.5Q</b>
	up to 3.0 l/min	<b>3Q</b>
	up to 6.0 l/min	<b>6Q</b>
	up to 10.0 l/min	<b>10Q</b>
	up to 16.0 l/min	<b>16Q</b>
	up to 25.0 l/min	<b>25Q</b>
	up to 32.0 l/min	<b>32Q</b>
08	<b>With</b> check valve	<b>R</b>
	<b>Without</b> check valve	<b>M</b>

**Seal material**

09	NBR seals	<b>no code</b>
	FKM seals	<b>V</b>
	Observe compatibility of seals with hydraulic fluid used! (Other seals upon request)	
10	Further details in the plain text	<b>*</b>

<sup>1)</sup> Key with the material no. **R900008158** is included in the scope of delivery.

 **Notice:** Preferred types and standard units are contained in the EPS (standard price list).

**Ordering code:** Rectifier sandwich plate (only version "B")

01	02	03	04	05
<b>Z4S</b>	<b>6</b>	<b>-</b>	<b>1X</b>	<b>/</b>
				<b>*</b>

01	Rectifier sandwich plate	<b>Z4S</b>
02	Size 6	<b>6</b>
03	Component series 10 ... 19 (10 ... 19: Unchanged installation and connection dimensions)	<b>1X</b>

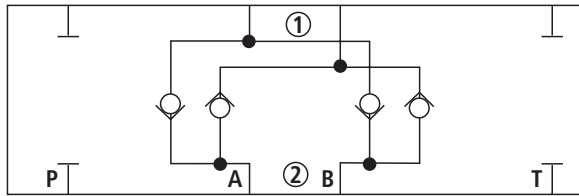
**Seal material**

04	NBR seals	<b>no code</b>
	FKM seals	<b>V</b>
Observe compatibility of seals with hydraulic fluid used! (Other seals upon request)		
05	Further details in the plain text	<b>*</b>

**Symbols:** 2-way flow control valves

	Simplified	Detailed
<p><b>Without</b> check valve;  <b>without</b> external closing                      Type 2FRM 6 B...M...                      Type 2FRM 6 SB...M...</p>		
<p><b>With</b> check valve;  <b>without</b> external closing                      Type 2FRM 6 B...R...                      Type 2FRM 6 SB...R...</p>		
<p><b>Without</b> check valve;  <b>with</b> external closing                      Type 2FRM 6 A...M...</p>		
<p><b>With</b> check valve;  <b>with</b> external closing                      Type 2FRM 6 A...R...</p>		

**Symbol:** Rectifier sandwich plate (① = component side, ② = plate side)



### Function, section: Type 2FRM 6 B...

#### General

The flow control valve type 2FRM is a 2-way flow control valve. It is used for maintaining a constant flow, independent of pressure and temperature.

The valve basically comprises a housing (1), a rotary knob (2), orifice bush (3), pressure compensator (4) and an optional check valve.

#### Version "B" ... "M"

(**without** external closing, **without** check valve)

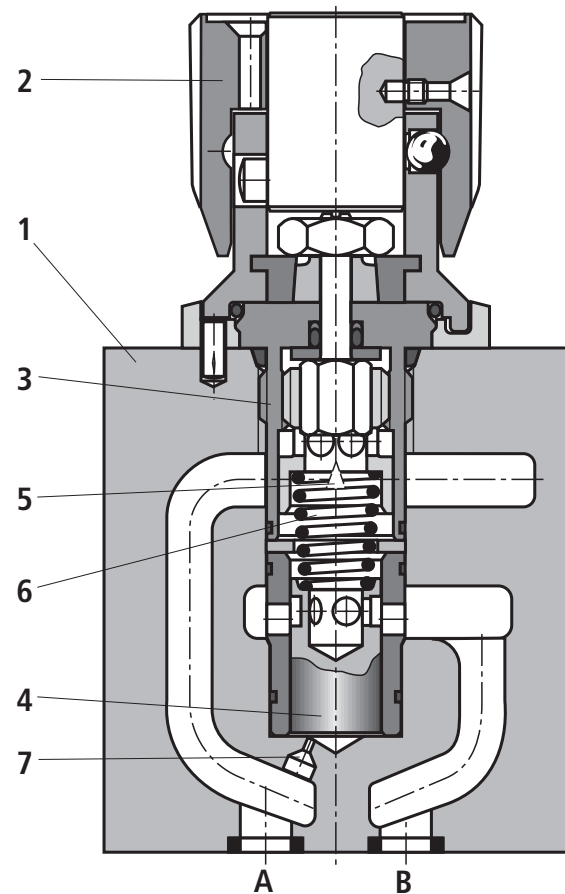
The flow from channel A to B is throttled at the throttling point (5). The throttle cross-section is set by turning the rotary knob (2).

In order to keep the flow in channel B constant, independent of the pressure, a pressure compensator (4) is fitted downstream of the throttling point (5).

The compression spring (6) presses the pressure compensator (4) downwards against its stop and keeps the pressure compensator (4) in the open position when there is no flow through the valve. When fluid flows through the valve, the pressure acting in channel A applies a force to the pressure compensator (4) via nozzle (7).

The pressure compensator (4) moves into the controlled position until the forces balance. If the pressure in channel A rises, the pressure compensator (4) moves in the closing direction until a balance of forces is once again attained. Due to this continuous compensation of the pressure compensator (4), a constant flow is obtained.

In order to control a flow through the valve in both directions, a rectifier sandwich plate type Z4S 6 may be fitted below this flow control valve.



Type 2FRM 6 B76-3X/.M...

## Function, section, circuit example: Type 2FRM 6 A...

### General

The flow control valve type 2FRM is a 2-way flow control valve.

It is used for maintaining a constant flow, independent of pressure and temperature.

The valve basically comprises a housing (1), a rotary knob (2), orifice bush (3), pressure compensator (4) and an optional check valve (8).

### Version "A" ... "R"

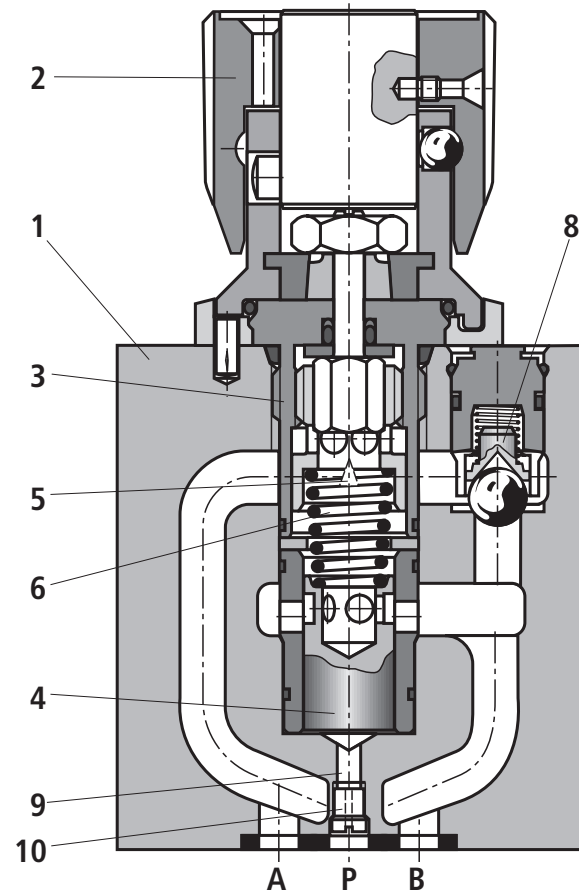
(with external closing, with check valve)

In principle, the function of this valve corresponds to the function of version "B" ... "M".

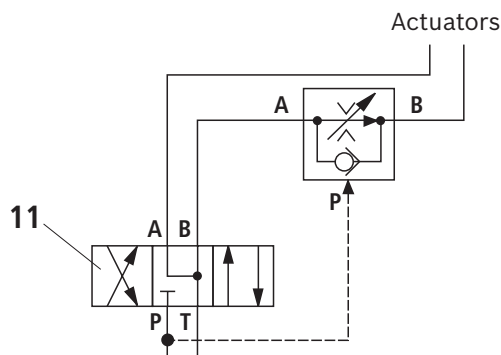
However, the flow control valve is provided with the possibility of an external closing of the pressure compensator (4) via channel P (9). The external pressure acting in channel P (9) via nozzle (10), holds the pressure compensator (4) in closed position against the compression spring (6). When the connected directional valve (11) is switched over to permit flow from P to B, control is achieved as with type "B". Thus, a start-up jump is avoided. This version can only be used for the supply control. The free return flow from channel B to A is via the check valve (8).

### Notice:

The pressure loss of port P upstream of the directional valve to port A upstream of the flow control valve makes itself felt by a reduced flow.



Type 2FRM 6 A76-3X/..RV



**Function, section: Type 2FRM 6 SB...****General**

The flow control valve type 2FRM is a 2-way flow control valve.

It is used for maintaining a constant flow, independent of pressure and temperature.

The valve basically comprises a housing (1), a rotary knob (2), orifice bush (3), pressure compensator (4) and an optional check valve (8).

**Version "SB" ... "RV"**

(**without** external closing, **with** check valve, with threaded connection **for control panel installation**)

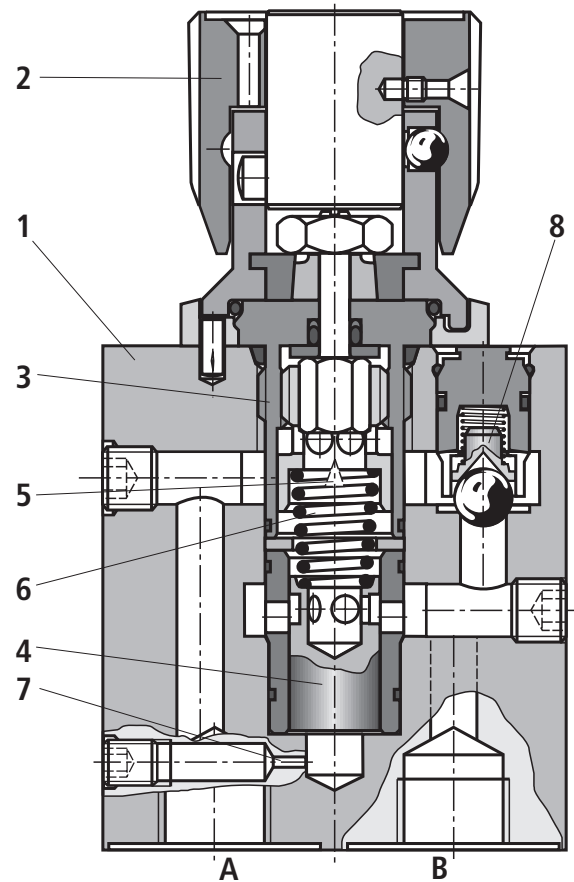
The flow from channel A to B is throttled at the throttling point (5). The throttle cross-section is set by turning the rotary knob (2).

In order to keep the flow in channel B constant, independent of the pressure, a pressure compensator (4) is fitted downstream of the throttling point (5).

The compression spring (6) presses the pressure compensator (4) downwards against its stop and keeps the pressure compensator (4) in the open position when there is no flow through the valve. When fluid flows through the valve, the pressure acting in channel A applies a force to the pressure compensator (4) via nozzle (7). The pressure compensator (4) moves into the controlled position until the forces balance. If the pressure in channel A rises, the pressure compensator (4) moves in the closing direction until a balance of forces is once again attained.

Due to this continuous compensation of the pressure compensator (4), a constant flow is obtained.

The free return flow from channel B to channel A is via the check valve (8).

**Type 2FRM 6 SB76-3X/..R...**

**Technical data: 2-way flow control valve**

(For applications of the component outside the specified values, please contact us!)

general			
Weight	► Version "A" and "B"	kg	Approx. 1.3
	► Version "SB"	kg	Approx. 1.5
Installation position		Any	
Ambient temperature range		°C	-30 ... +50 (NBR seals) -20 ... +50 (FKM seals)

hydraulic			
Maximum operating pressure (port A)		bar	315
Pressure differential $\Delta p$ with free return flow B → A		bar	See characteristic curves page 9
Minimum pressure differential		bar	6 ... 14
Pressure stable up to $\Delta p = 315$ bar		%	$\pm 2$ ( $q_{V \max}$ )
Maximum flow		l/min	0.2   0.6   1.5   3.0   6.0   10.0   16.0   25.0   32.0
Minimum flow	► up to 100 bar	cm <sup>3</sup> /min	15   15   15   15   25   50   70   100   250
	► up to 315 bar	cm <sup>3</sup> /min	25   25   25   25   25   50   70   100   250
Hydraulic fluid		See table below	
Hydraulic fluid temperature range		°C	-30 ... +80 (NBR seals) -20 ... +80 (FKM seals)
Viscosity range		mm <sup>2</sup> /s	10 ... 800
Maximum permitted degree of contamination of the hydraulic fluid - cleanliness class according to ISO 4406 (c)		Class 20/18/15 <sup>1)</sup>	

Hydraulic fluid	Classification	Suitable sealing materials	Standards	Data sheet
Mineral oils	HL, HLP	NBR, FKM	DIN 51524	90220
Bio-degradable	► insoluble in water	HETG	ISO 15380	90221
		HEES		
	► soluble in water	HEPG	ISO 15380	
Flame-resistant	► water-free	HFDU	ISO 12922	90222
	► containing water	HFC (Fuchs Hydrotherm 46M, Petrofer Ultra Safe 620)	ISO 12922	90223

**Important information on hydraulic fluids:**

- For more information and data on the use of other hydraulic fluids, please refer to the data sheets above or contact us!
- There may be limitations regarding the technical valve data (temperature, pressure range, life cycle, maintenance intervals, etc.)!
- The flash point of the hydraulic fluid used must be 50 K higher than the maximum solenoid surface temperature.

**► Flame-resistant - containing water:**

- Maximum operating pressure of 210 bar
- Maximum hydraulic fluid temperature 60 °C
- Life cycle compared to operation with mineral oil HL, HLP 30 to 100 %

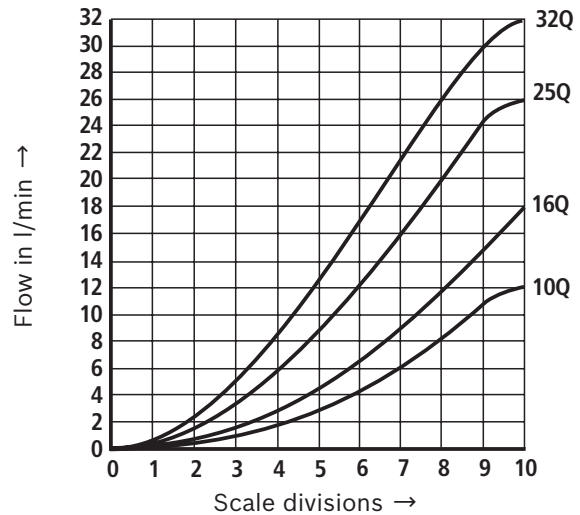
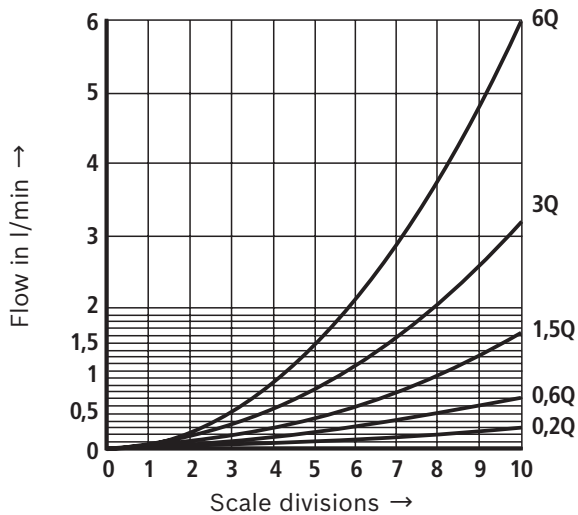
<sup>1)</sup> The cleanliness classes specified for the components must be adhered to in hydraulic systems. Effective filtration prevents faults and at the same time increases the life cycle of the components.

Available filters can be found at [www.boschrexroth.com/filter](http://www.boschrexroth.com/filter).

**Technical data:** Rectifier sandwich plate

(For applications of the component outside the specified values, please contact us!)

general		
Weight	kg	Approx. 0.9
hydraulic		
Maximum operating pressure	bar	210
Cracking pressure	bar	0.7
Maximum flow	l/min	32

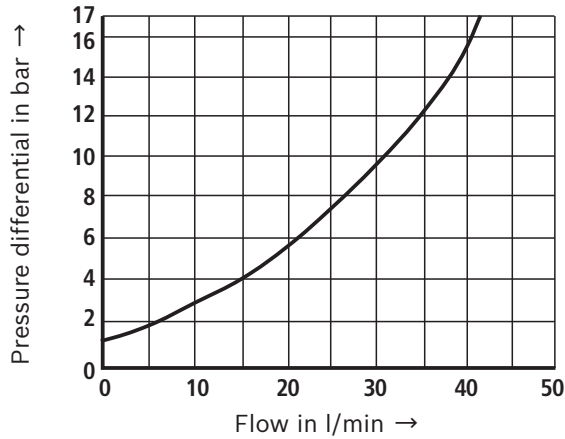
**Characteristic curves**(measured with HLP46,  $\vartheta_{oil} = 40 \pm 5 \text{ } ^\circ\text{C}$ )**Flow dependency on the scale setting** (flow control A → B)



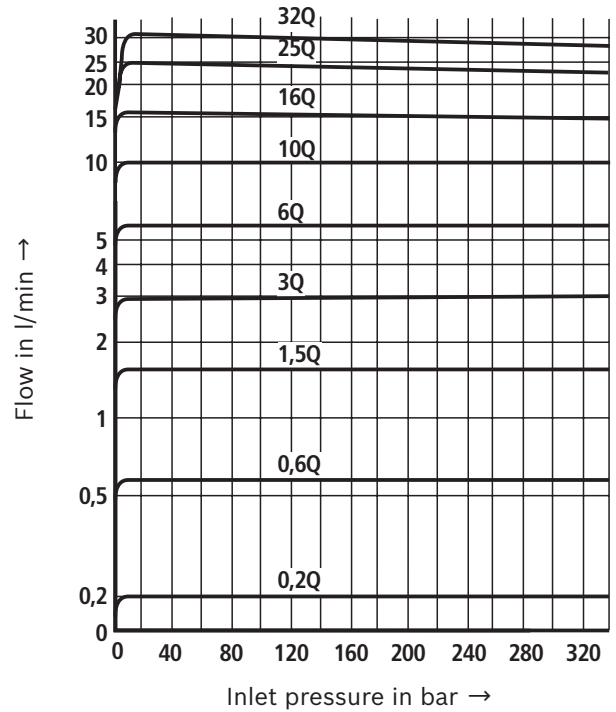
### Characteristic curves

(measured with HLP46,  $\vartheta_{oil} = 40 \pm 5 \text{ }^\circ\text{C}$ )

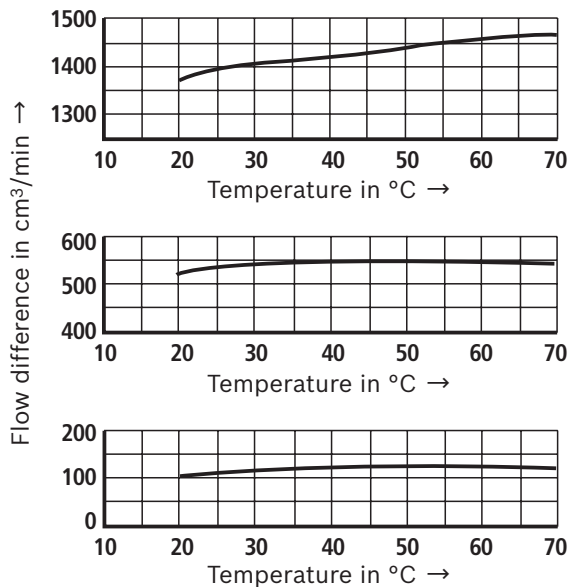
**$\Delta p$ - $q_V$  characteristic curve** via check valve B  $\rightarrow$  A;  
orifice closed



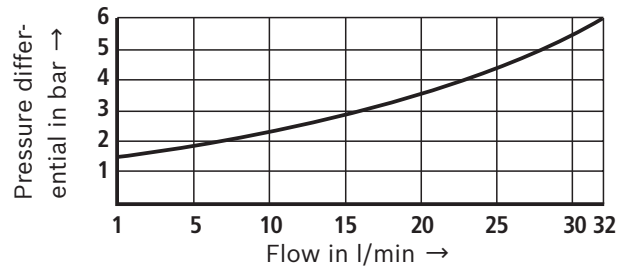
**$p_E$ - $q_V$  characteristic curve**



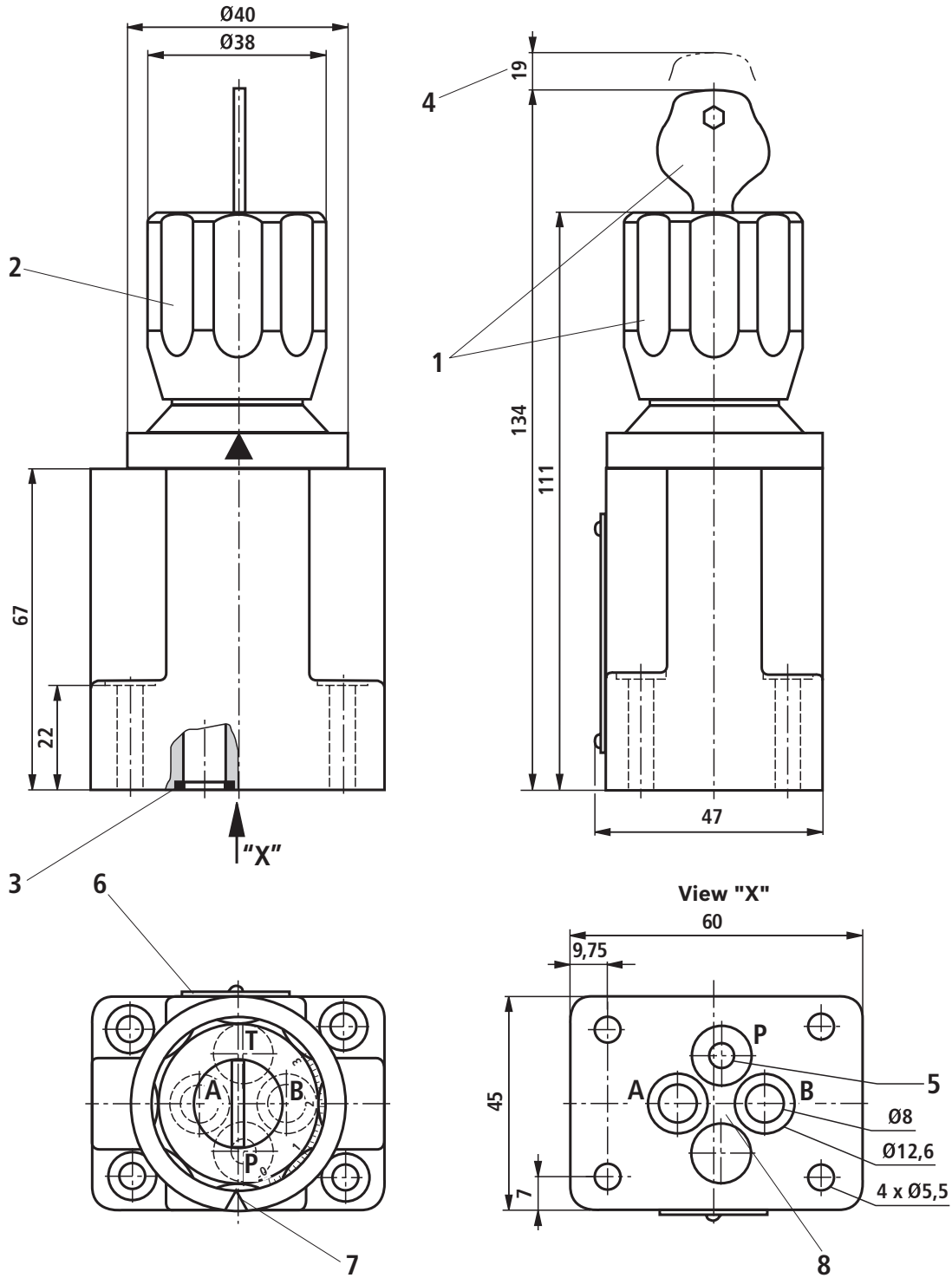
**Temperature dependency at  $\Delta p = 20 \text{ bar}$**



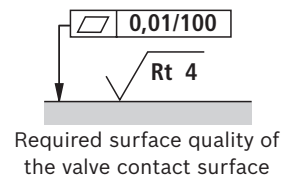
**Rectifier sandwich plate  $\Delta p$ - $q_V$  characteristic curve**



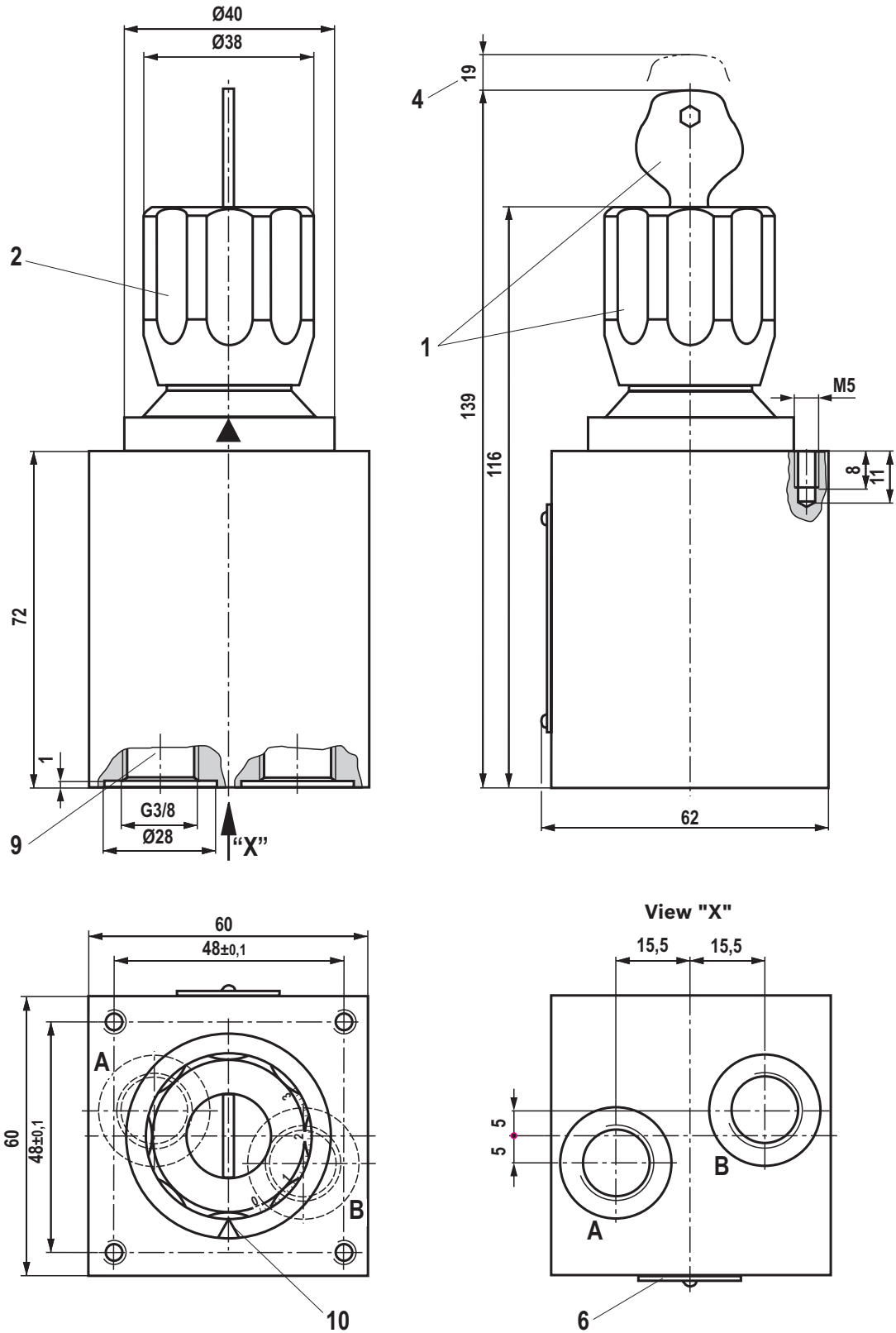
**Dimensions:** Subplate mounting – version "A" and "B"  
(dimensions in mm)



Item explanations, subplates, and valve mounting screws see page 12.

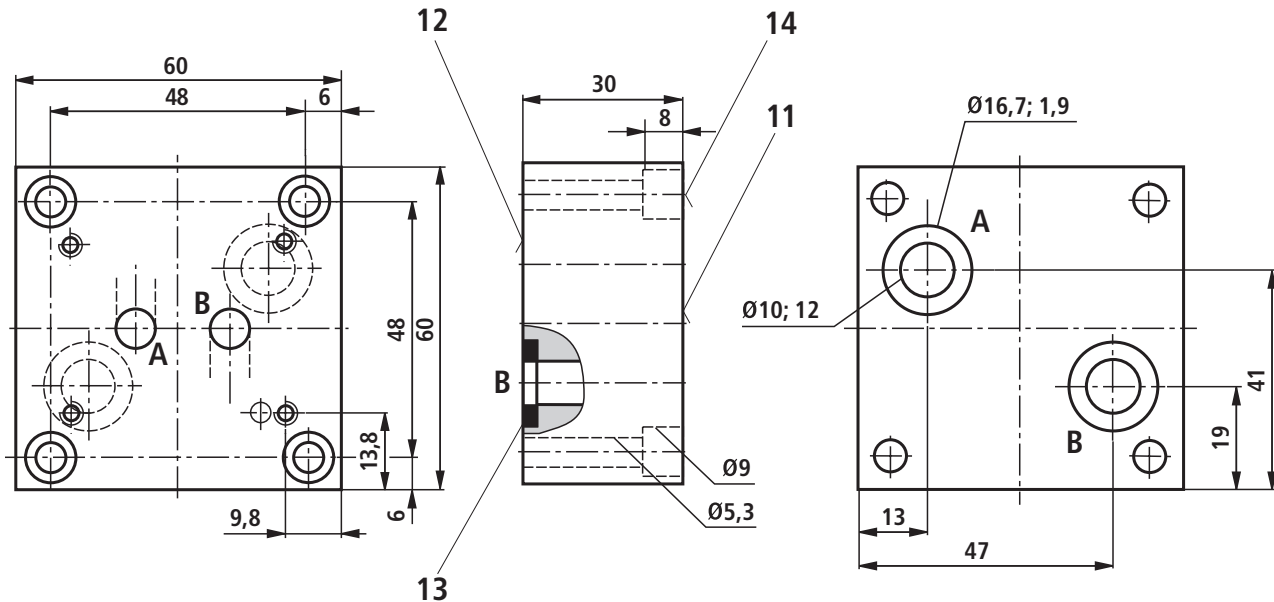


**Dimensions:** Threaded connection for control panel installation – version "SB"  
 (dimensions in mm)



Item explanations and valve mounting screws see page 12.

**Dimensions:** Adapter plate HSE 05 G06A001-3X/V00  
(dimensions in mm)



**Notice:**

The adapter plate (material no. **R900496121**) is required for mounting a flow control valve type 2FRM 6 B..-3X/.. to an existing flow control valve type 2FRM 5 -3X/...

## Dimensions

- 1 Adjustment type "3" (lockable rotary knob with scale)
- 2 Adjustment type "7" (rotary knob with scale)
- 3 Identical seal rings for ports A, B, P, and T
- 4 Space required to remove the key
- 5 Ø3 bore in version "B" not bored (without external closing)
- 6 Name plate
- 7 Position of the marking at port P
- 8 Porting pattern according to DIN 24340 form A
- 9 Connection thread G3/8 according to ISO 228-1
- 10 Position of the marking vis-à-vis name plate
- 11 Connection surface for flow control valve type 2FRM 6
- 12 Connection surface for flow control valve type 2FRM 5
- 13 Seal ring
- 14 Mounting bolts for adapter plate (included in the scope of delivery)

**4 hexagon socket head cap screws**

**ISO 4762 - M5 x 30 - 10.9-fIZn-240h-L**

(friction coefficient  $\mu_{\text{total}} = 0.09 \dots 0.14$ );  
tightening torque  $M_A = 7 \text{ Nm} \pm 10 \%$

### Control panel installation (version "SB"):

**Valve mounting screws** (separate order)

**4 hexagon socket head cap screws**

**ISO 4762 - M5 - 8.8-fIZn-240h-L**

(friction coefficient  $\mu_{\text{total}} = 0.09 \dots 0.14$ );  
tightening torque  $M_A = 7 \text{ Nm} \pm 10 \%$ ,  
(minimum useable thread depth = 6.5 mm)

### Subplate mounting (version "A" and "B"):

**Subplates** according to data sheet 45052 (separate order)

Type G 341/01 (G1/4)

Type G 342/01 (G3/8)

Type G 502/01 (G1/2)

**Valve mounting screws** (separate order)

► Without rectifier sandwich plate

**4 hexagon socket head cap screws**

**ISO 4762 - M5 x 30 - 10.9-fIZn-240h-L**

(friction coefficient  $\mu_{\text{total}} = 0.09 \dots 0.14$ );  
tightening torque  $M_A = 7 \text{ Nm} \pm 10 \%$ ,  
material no. **R913000316**

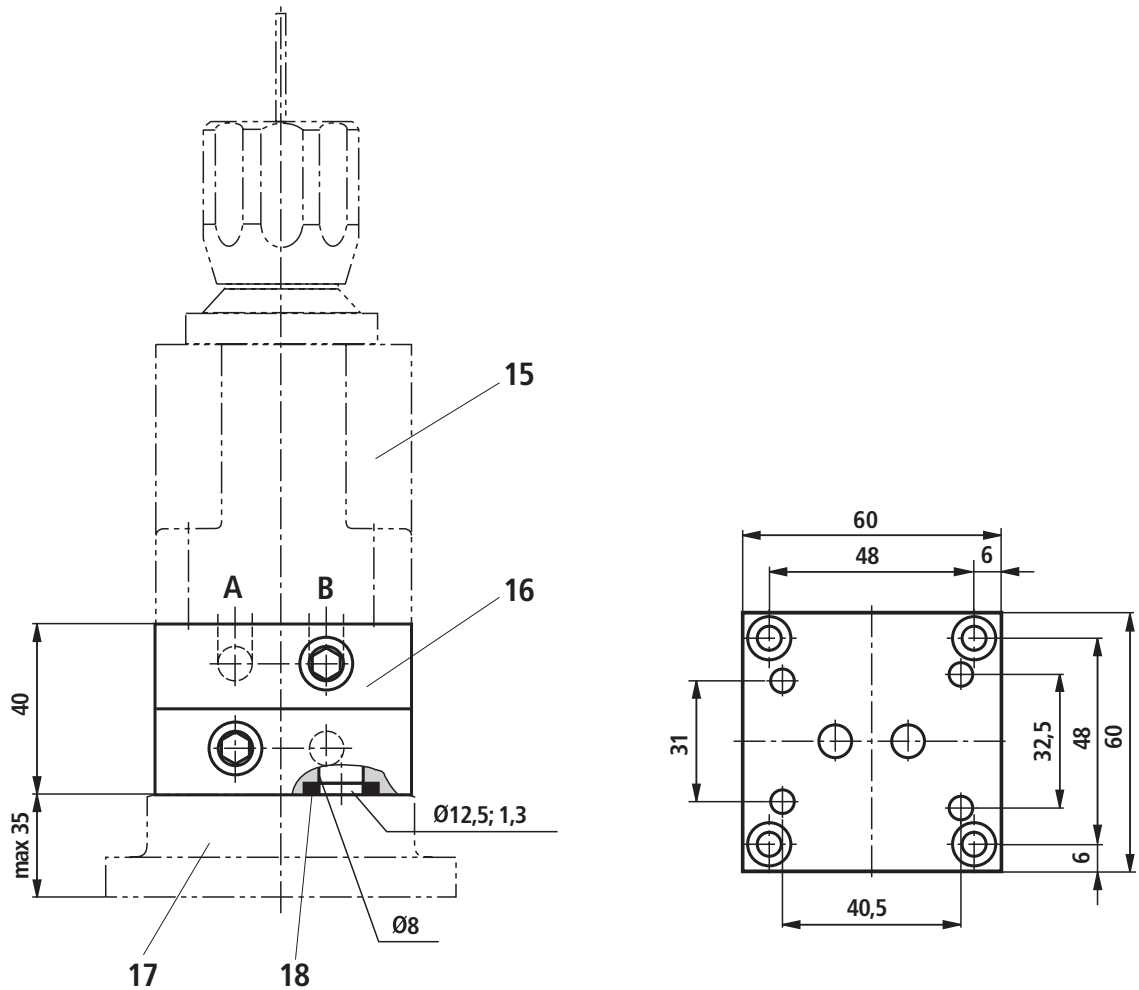
► With rectifier sandwich plate

**4 hexagon socket head cap screws**

**ISO 4762 - M5 x 70 - 10.9-fIZn-240h-L**

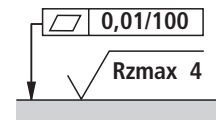
(friction coefficient  $\mu_{\text{total}} = 0.09 \dots 0.14$ );  
tightening torque  $M_A = 7 \text{ Nm} \pm 10 \%$ ,  
material no. **R913000325**

**Dimensions:** Rectifier sandwich plate type Z4S 6-1X/V  
(dimensions in mm)



**Notice:**

The rectifier sandwich plate Type Z4S 6-1X/V can **only** be used in connection with the flow control valve Type 2FRM 6 B.-3X/.. (without closing of the pressure compensator)!



Required surface quality of the valve contact surface

- 15 2-way flow control valve
- 16 Rectifier sandwich plate
- 17 Subplate according to data sheet 45052 and valve mounting screws see page 12.
- 18 Seal ring

## Additional information

- |  |  |
|--|--|
| ▶ Subplates  | Data sheet 45052   |
| ▶ Hydraulic fluids on mineral oil basis                                      | Data sheet 90220   |
| ▶ Environmentally compatible hydraulic fluids                                | Data sheet 90221   |
| ▶ Flame-resistant, water-free hydraulic fluids                               | Data sheet 90222   |
| ▶ Flame-resistant hydraulic fluids - containing water (HFAE, HFAS, HFB, HFC) | Data sheet 90223   |
| ▶ Hydraulic valves for industrial applications                               | Operating instructions 07600-B   |
| ▶ General product information on hydraulic products                          | Data sheet 07008   |
| ▶ Assembly, commissioning and maintenance of industrial valves               | Data sheet 07300   |
| ▶ Selection of the filters   | <a href="http://www.boschrexroth.com/filter">www.boschrexroth.com/filter</a> |

Bosch Rexroth AG  
Hydraulics  
Zum Eisengießer 1  
97816 Lohr am Main, Germany  
Phone +49 (0) 93 52/ 18-0  
[documentation@boschrexroth.de](mailto:documentation@boschrexroth.de)  
[www.boschrexroth.de](http://www.boschrexroth.de)

© This document, as well as the data, specifications and other information set forth in it, are the exclusive property of Bosch Rexroth AG. It may not be reproduced or given to third parties without its consent.  
The data specified above only serve to describe the product. No statements concerning a certain condition or suitability for a certain application can be derived from our information. The information given does not release the user from the obligation of own judgment and verification. It must be remembered that our products are subject to a natural process of wear and aging.

## Notes

Bosch Rexroth AG  
Hydraulics  
Zum Eisengießer 1  
97816 Lohr am Main, Germany  
Phone +49 (0) 93 52/18-0  
documentation@boschrexroth.de  
www.boschrexroth.de

© This document, as well as the data, specifications and other information set forth in it, are the exclusive property of Bosch Rexroth AG. It may not be reproduced or given to third parties without its consent.  
The data specified above only serve to describe the product. No statements concerning a certain condition or suitability for a certain application can be derived from our information. The information given does not release the user from the obligation of own judgment and verification. It must be remembered that our products are subject to a natural process of wear and aging.

## Notes