

2/2 directional seat valve, direct-operated, with solenoid actuation KSDE.8



H7077

- ▶ Size 8
- ▶ Series B
- ▶ Maximum working pressure 500 bar
- ▶ Maximum flow 5 l/min

Features

- ▶ Direct operated directional seat valve with solenoid actuation, both sides tightly sealed
- ▶ Mounting cavity R/T-8A
- ▶ Blocked connection leak-free, tightly sealed
- ▶ Secure switching, even in the case of long service lives
- ▶ DC voltage solenoids switching in oil
- ▶ Rotatable solenoid coil

Contents

Type code (valve without coil) ¹⁾	2
Preferred types (valve without coil) ¹⁾	3
Available coils (order separately)	3
Functional description	4
Technical data	5
Characteristic curves	7
Permissible working range	7
Dimensions	8
Mounting cavity	9
Available individual components	10
Related documentation	10

2 **KSDE.8** | 2/2 directional seat valve
Type code (valve without coil)¹⁾

Type code (valve without coil)¹⁾

01	02	03	04	05	06	07	08	09	
KSDE		8		B	/	H		V	*

Valve type

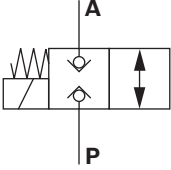
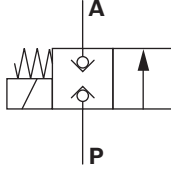
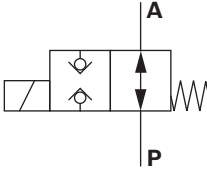
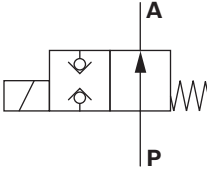
01	Directional seat valve, direct-operated, electrically actuated	KSDE
----	--	-------------

Maximum working pressure

02	350 bar	R
	500 bar	U

03	Size 8	8
----	--------	----------

Symbol – 2 main ports

04	R (350 bar)	U (500 bar)	N	
	Normally closed			
	Normally open			P

05	Series B	B
----	----------	----------

06	Mounting cavity R/T-8A (see page 9)	H
----	-------------------------------------	----------

Auxiliary actuation

07	Without auxiliary actuation							N0
	With concealed auxiliary actuation							N9
	With screwable auxiliary actuation							N11
	Version	Symbol N			Symbol P			
	N0	N9	N11	N0	N9	N11		
R (350 bar)	●	–	●	●	● ²⁾	–		
U (500 bar)	●	–	–	●	–	–		

Sealing material

08	FKM (fluorocarbon rubber), other seals on request	V
----	---	----------

09	Further details in plain text	*
----	-------------------------------	----------

See page 3 for footnotes

● = Available – = Not available

Preferred types (valve without coil)¹⁾

▼ Working pressure 350 bar

Spool symbol	Type	Material no.
N	KSDER8NB/HN0V	R901085000
	KSDER8NB/HN11V	R901207100
P	KSDER8PB/HN0V	R901085005
	KSDER8PB/HN9V	R901207098

▼ Working pressure 500 bar

Spool symbol	Type	Material no.
N	KSDEU8NB/HN0V	R901085007
P	KSDEU8PB/HN0V	R901085009

Available coils (order separately)

DC voltage ⁴⁾	Material no. for coil with device connector ³⁾		
	"K4"	"K40"	"C4"
	03pol (2+PE) DIN EN 175301-803	02pol K40 DT 04-2PA, Fa. DEUTSCH	02pol C4/Z30 AMP Junior Timer
12 V	R900991678	R900729189	R900315818
24 V	R900991121	R900729190	R900315819

1) Complete valves with mounted coil on request.
 2) Screwable auxiliary actuation "N10" (actuation through hexagon socket with lock nut) possible as a separate order, material no. R901051231; ordering code "N9"!

3) Plug-in connectors are not included in the scope of delivery and must be ordered separately, see data sheet 08006.
 4) Additional voltages available on request.

Functional description

General

The 2/2 directional seat valves are direct operated, pressure-compensated cartridge valves. They essentially consist of a screw-in part (1), solenoid (4), closing element (3) and compression spring (2).

Function

The initial position of the valve (normally open "P" or normally closed "N") is determined by the position of the closing element (3) and the arrangement of the compression spring (2). Owing to the structural design, the 2/2 directional seat valves are always pressure-compensated with the actuating forces. The ports **P** and **A** can be loaded with 350 bar/500 bar working pressure (see technical data, page 5).

Notice

Flow is only permissible in the direction of the arrow (see symbols)! For version "U" (working pressure 500 bar), the port **P** must be connected with the pump!

In the case of symbol "P", the closing element (3) is pressed into the seat by the solenoids (4), in the case of symbol "N", it is pressed by the compression spring (2). The flow is blocked and leak-free.

The auxiliary actuation enables the switching of the valve without solenoid excitation. It is also available as a concealed version "N9" (5) or as a screwable version "N11" (6).

The screwable auxiliary actuation (6) must be screwed back into the initial position after actuation.

Symbol "N"	Symbol "P"
Normally closed	Normally open

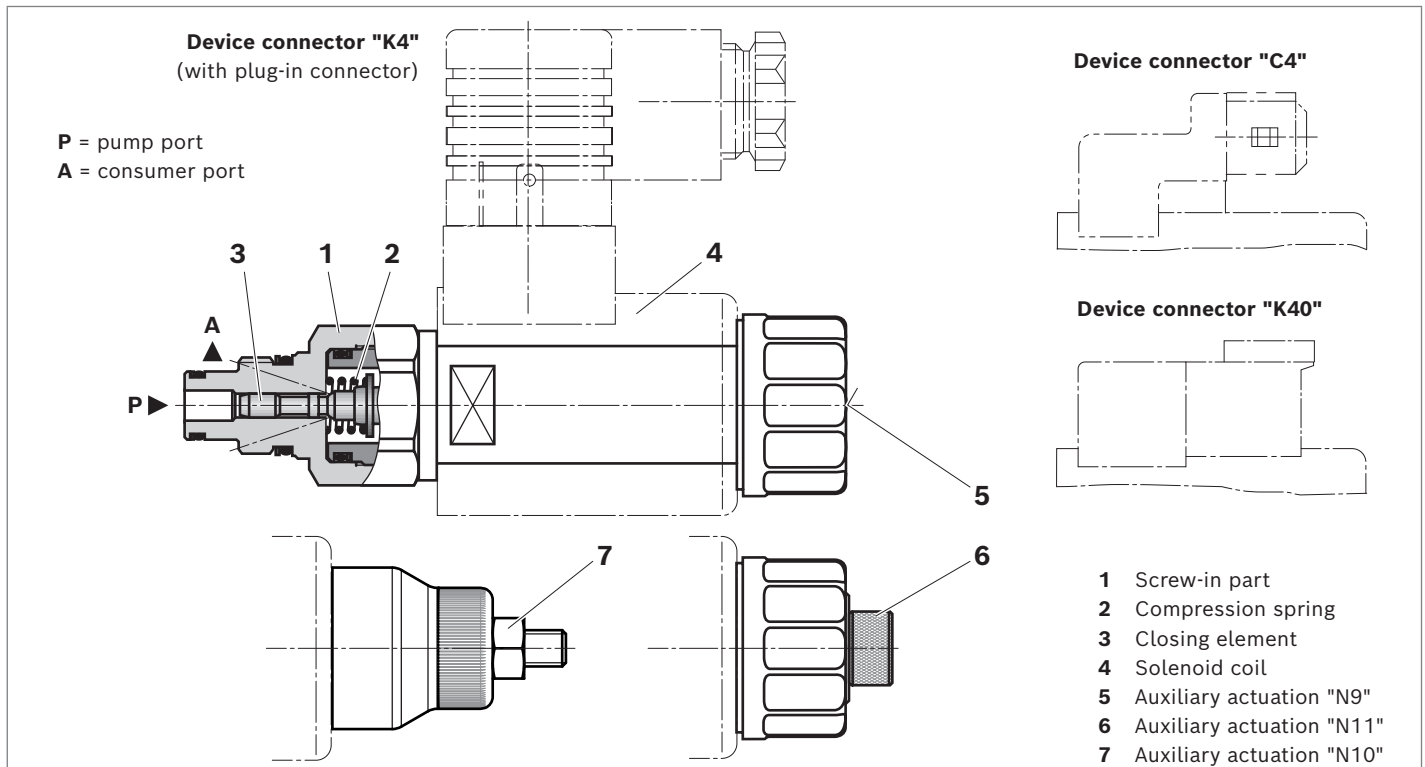
Version "R" (350 bar)



Version "U" (500 bar)



▼ Sectional view KSDEU8PB/HN9V



Technical data

General				
Weight (approx.)	Valve	kg	0.30	
	Solenoid coil	kg	0.25	
Installation position	Any			
Ambient temperature range	°C		-40 ... +110	
Hydraulic				
Maximum working pressure	Version U	p	bar	500 (at all ports if $P \geq A$; based on structure)
	Version R	p	bar	350 (at all ports)
Maximum flow	Version U	q_v	l/min	3 (see performance limit on page 7)
	Version R	5 (see performance limit on page 7)		
Hydraulic fluid	See table on page 6			
Hydraulic fluid temperature range	ϑ		°C	-40 ... +80
Viscosity range	ν		mm ² /s	4 ... 500
Maximum admissible degree of contamination of hydraulic fluid, cleanliness level as per ISO 4406 (c)	Level 20/18/15 ¹⁾			
Load cycles	Version U	5 Mio.		
	Version R	10 Mio.		
Electric				
Voltage type	DC voltage			
Supply voltage ²⁾	V		12 DC; 24 DC	
Voltage tolerance over ambient temperature	See characteristic curve on page 7			
Power consumption	W		22	
Duty cycle	%		See characteristic curve on page 7	
Maximum coil temperature ³⁾	°C		150	
Switching time according to ISO 6403 (Horizontal solenoid)	ON (P → A)	ms	≤80	
	OFF (A → P)	ms	≤80	
Maximum switching frequency	Version U	1/h	3600	
	Version R	1/h	9000	
Type of protection according to ISO 20653	Connector version "K4"	IP6K5 ⁴⁾		
	Connector version "C4"	IP6K6K ⁴⁾ IP6K9K ⁴⁾ (only with Rexroth type R901022127)		
	Connector version "K40"	IP6K7 and IP6K9K ⁴⁾		

Notice

For applications outside these values, please consult us!

Notice

For the electrical connection, a protective earth (PE \perp) connection is mandatory based on the specification.

1) Cleanliness levels specified for the components must be maintained in the hydraulic systems. Effective filtration prevents malfunctions and simultaneously extends the service life of the components.

We recommend a filter with a minimum retention rate of $\beta_{10} \geq 75$.

2) Additional voltages available on request

3) Due to the occurring surface temperatures of the solenoid coils, the standards ISO 13732-1 and ISO 4413 must be observed!

4) With installed and locked plug-in connector. Plug-in connectors are not included in the scope of delivery and must be ordered separately, see data sheet 08006.

Hydraulic fluid

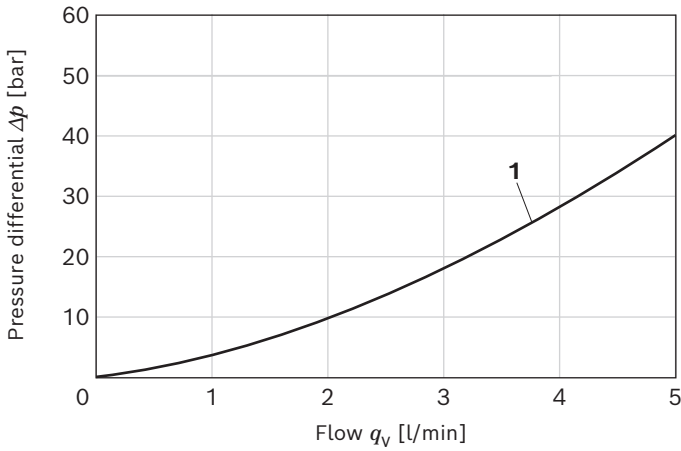
Hydraulic fluid		Classification	Suitable sealing materials	Standards	Data sheet
Mineral oils		HL, HLP	FKM	DIN 51524	90220
Environmentally acceptable	Insoluble in water	HEES	FKM	ISO 15380	90221
	Soluble in water	HEPG	FKM	ISO 15380	90221

Notice

- ▶ Further information and details on using other hydraulic fluids are available in the above data sheets or on request.
- ▶ Restrictions are possible with the technical valve data (temperature, pressure range, service life, maintenance intervals, etc.)!
- ▶ The flash point of the hydraulic fluid used must be 40 K above the maximum solenoid surface temperature.
- ▶ **Environmentally acceptable:** If environmentally acceptable hydraulic fluids are used that are also zinc-dissolving, there may be an accumulation of zinc.

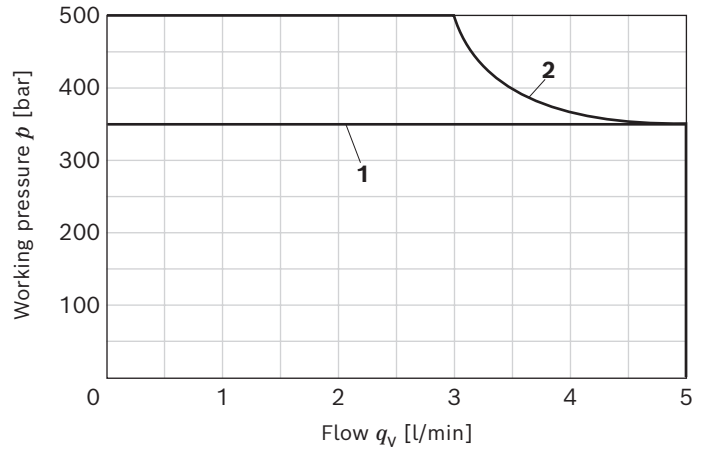
Characteristic curves

▼ Δp - q_V characteristic curve



- 1 Version "R" (P → A; A → P)
- 1 Version "U" (P → A)

▼ Performance limit



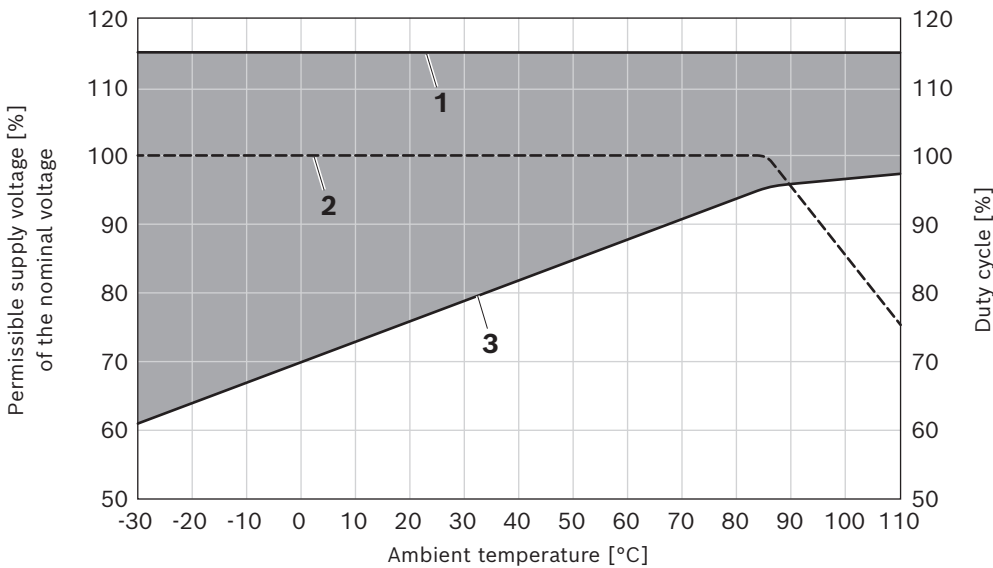
- 1 Version "R" (P → A; A → P)
- 2 Version "U" (P → A)

Notice

- ▶ The characteristic curves have been measured with HLP46, $\vartheta_{oil} = 40 \pm 5$ °C and 24 V coil.
- ▶ The performance limit was determined with solenoids at operating temperature and 10 % undervoltage.

Permissible working range

▼ Voltage tolerance and duty cycle depending on the ambient temperature

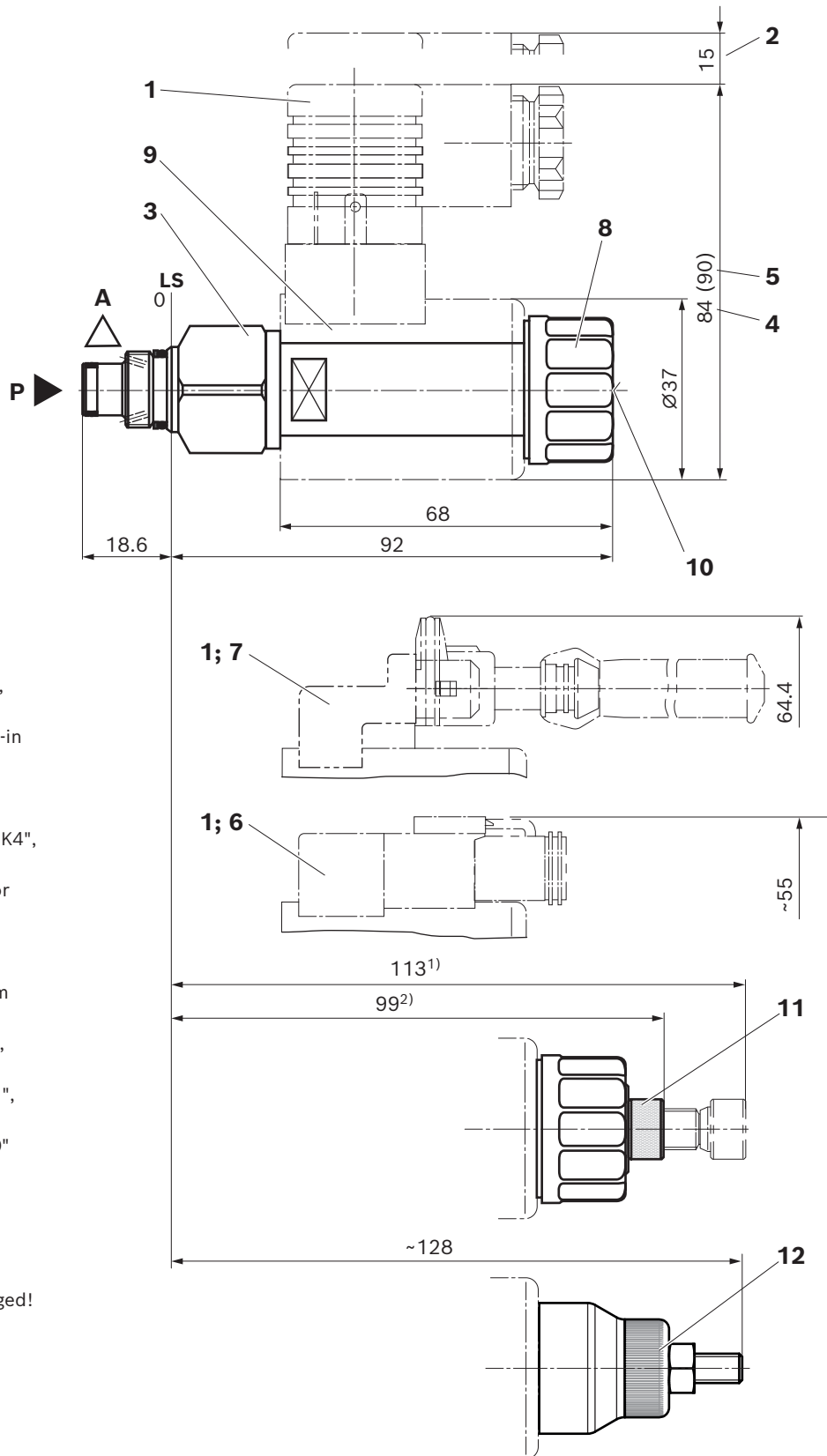


- 1 Maximum voltage
- 2 Duty cycle
- 3 Minimum response voltage

= Permissible supply voltage range

Dimensions

▼ KSDE.8



- 1 Plug-in connectors, separate order, see data sheet 08006
- 2 Space required to remove the plug-in connector
- 3 SW24, tightening torque
 $M_A = 45+5$ Nm
- 4 Dimensions for plug-in connector "K4", without wiring
- 5 Dimensions () for plug-in connector "K4", with wiring
- 6 Device connector "K40"
- 7 Device connector "C4"
- 8 Nut, tightening torque $M_A = 5+1$ Nm
- 9 Coil (order separately, see page 3)
- 10 Concealed auxiliary actuation "N9", optional
- 11 Screwable auxiliary actuation "N11", optional
- 12 Screwable auxiliary actuation "N10" (order separately, see page 3)

P = pump port

A = consumer port

Attention! Clear pin assignment.

P and **A** may not be swapped or plugged!

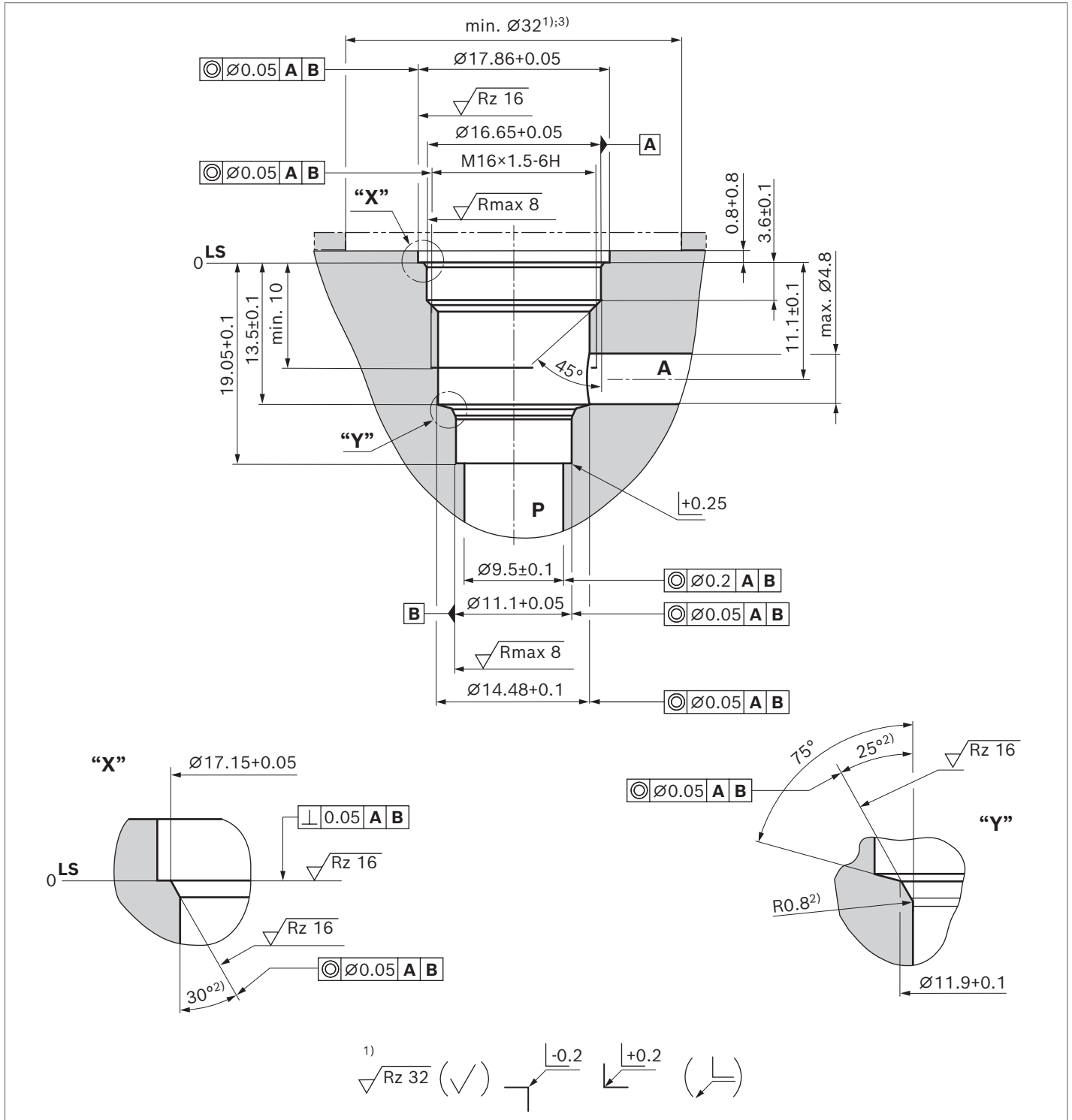
LS = location shoulder

1) Actuated

2) Mounted

Mounting cavity

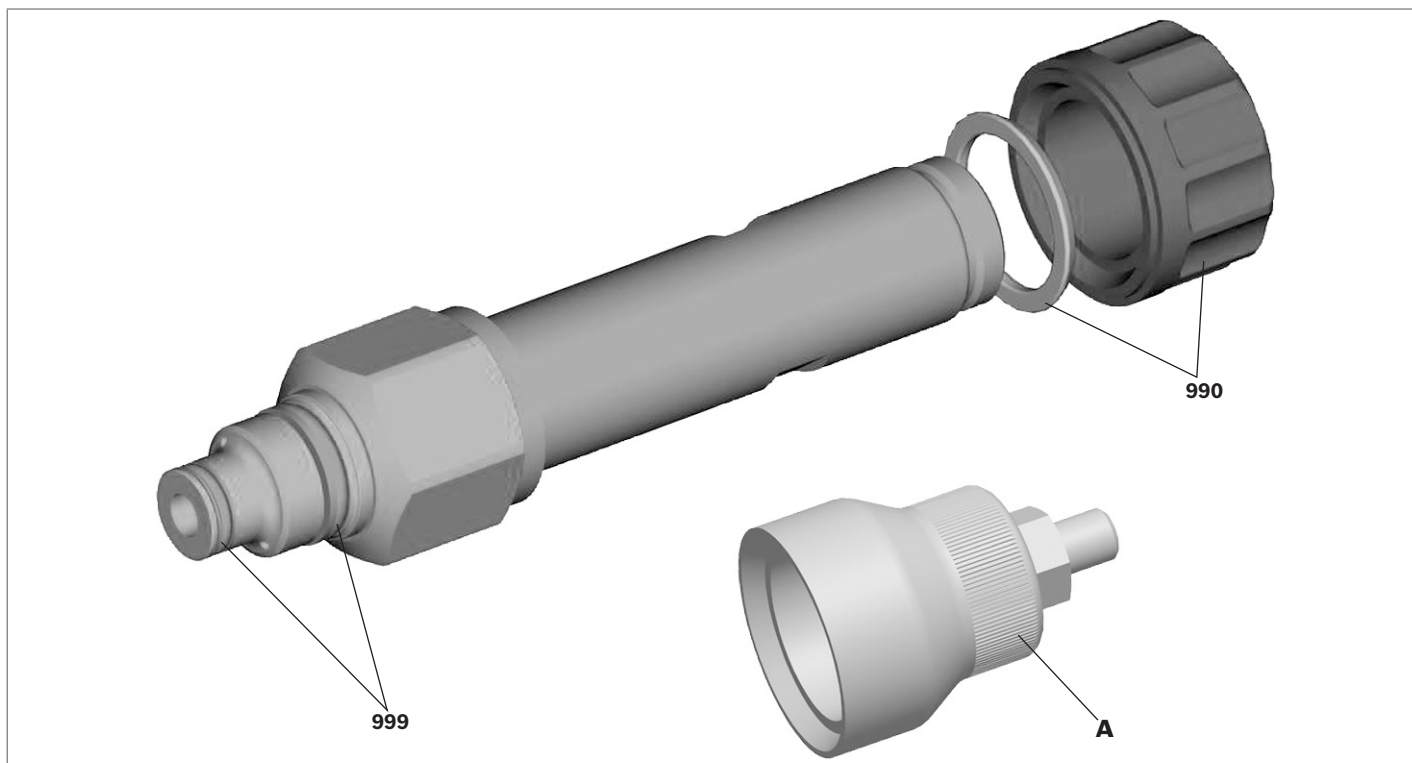
▼ **Version R/T-8A – 2 main ports; thread M16×1.5**



- 1) Deviating from T-8A
- 2) All seal ring insertion faces are rounded and free of burrs
- 3) At counterbore

Tolerance for all angles $\pm 0.5^\circ$
LS = location shoulder
P = pump port
A = consumer port

Available individual components



Item	Denomination		DC voltage	Material number
999	Coil for single connection	K4	12 V	R900991678
			24 V	R900991121
		K40	12 V	R900729189
			24 V	R900729190
		C4	12 V	R900315818
			24 V	R900315819
A	Auxiliary actuation "N10" ¹⁾		R901051231	
990	Nut and O-ring for pole tube		R961012130	
999	Seal kit of the valve		R961003237	

1) Only for ordering code "N9", see page 2

Related documentation

- ▶ Mineral oil-based hydraulic fluids
- ▶ Environmentally acceptable hydraulic fluids
- ▶ MTTF_D values

Data sheet 90220

Data sheet 90221

Data sheet 90294

Bosch Rexroth AG

Zum Eisengießer 1
97816 Lohr am Main
Germany
Phone +49 9352 18-0
info.ma@boschrexroth.de
www.boschrexroth.com

© Bosch Rexroth AG 2021. All rights reserved, also regarding any disposal, exploitation, reproduction, editing, distribution, as well as in the event of applications for industrial property rights. The data specified within only serves to describe the product. No statements concerning a certain condition or suitability for a certain application can be derived from our information. The information given does not release the user from the obligation of own judgment and verification. It must be remembered that our products are subject to a natural process of wear and aging.